

Supporting Material: Synthesis and Evaluation of Copper Supported Titanium Nanotubes as Electrocatalyst for the Electrochemical Reduction of Carbon Dioxide to Organics

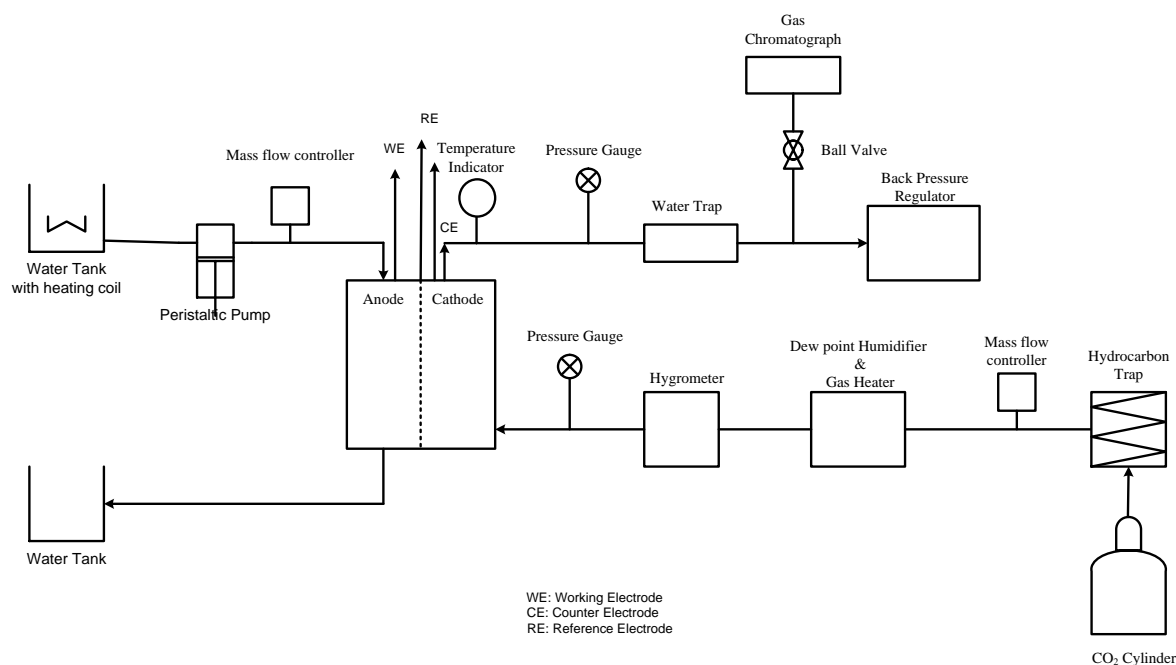


Figure S1: Experimental set-up for continuous SPE reactor system